

## CHARGESPOT

ChargeSpot is a wireless charging solution for smartphones and tablets. The product is installed on the underside of furniture and creates a wireless charging "spot" on the topside of a table surface.

### BEST SUITED FOR:

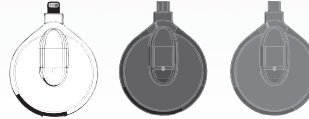
- Meeting/Conference Rooms
- Executive Board Rooms
- Hoteling/Benching Stations
- Individual Offices

### CHARGESPOT



ChargeSpot

### SPARKS



Apple  
Lightning

microUSB

USB-C

### WHAT THE USER SEES

This decal is all the user sees on a table surface which highlights where to place a smartphone or tablet.

### ORDERS

Submit orders to [orders@chargespot.com](mailto:orders@chargespot.com)

**Lead times:** < 300 units is 2 weeks, > 300 units is 6 weeks

**Dealer terms:** All Tier 1 (Steelcase, Haworth, Herman Miller and Knoll) dealers receive automatic Net 30 terms. For all other dealers, we require 50% down or a credit application

### VALUE PROPOSITIONS

#### Enhance Client Experience

When clients visit, impress them! Offer ChargeSpot as a practical amenity that has a "wow" factor

#### Increase Productivity

Provide easy, accessible power for smartphone and tablet users in the most utilized spaces

#### Design & Aesthetics

Create better functional work space and reduce wire clutter

#### Branding

Showcase technology innovation to clients, guests, and employees

#### Ensure Compatibility

ChargeSpot works with all smartphones and tablets and supports the Qi standard.

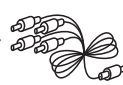
### QUESTIONS TO ASK CLIENT

- What type of material are the table surfaces made of?
  - ChargeSpot works on all surface materials except glass and metal.
- Is there available power access underneath the table?
  - (1) socket can power (4) ChargeSpots using the Multi-Unit Configuration (see "Power Supplies" below)
- How many seats does your meeting room have?
  - Standard layout is (1) ChargeSpot in between each seat - approximately 8-12 inches in from the edge of the table
- (n-2) is the rule of thumb for the number of chargespots required at a conference table, where n is the number of seats at the table.

### POWER SUPPLIES

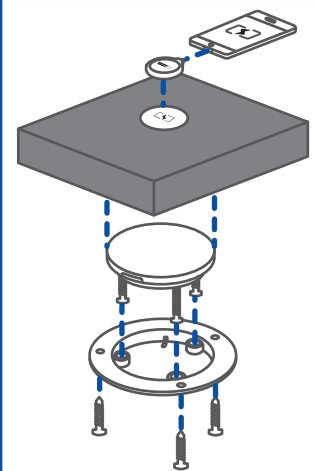


Single-Unit Configuration  
"works well for individual workstations"

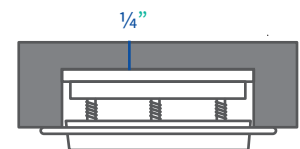


Multi-Unit Configuration  
"works well for meeting rooms"

### INSTALLATION PROCESS



### INSTALLATION CROSS SECTION



CHARGESPOT W/ MOUNTING PLATE  
Milling a "pocket" into the underside of furniture is required to correctly install a ChargeSpot

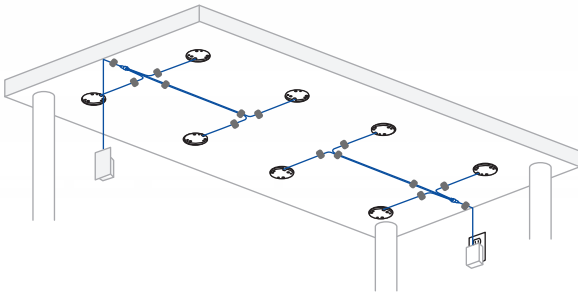
- The standard layout is one ChargeSpot in between each seat or chair
- (4) ChargeSpots can be powered from (1) socket

**INSTALLATION EXAMPLES**

● ChargeSpots    ● Wires    ■ Wire Clips    □ Spark Holders

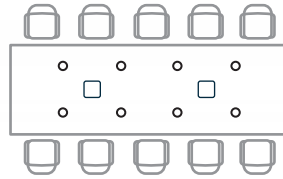
**10 SEATER CONFERENCE TABLE, 8 CHARGESPOTS ⚡**

Wiring



Requires 2 sockets

Overhead Layout



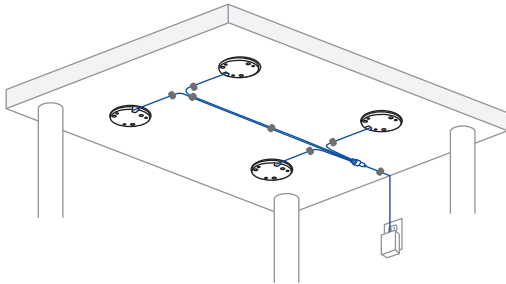
Pricing

	MSRP	COST
8 CHARGESPOTS, SPARKS, SPARK HOLDERS & POWER SUPPLY	\$1,870	\$1,300

Does not include installation

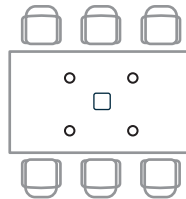
**6 SEATER TABLE, 4 CHARGESPOTS ⚡**

Wiring



Requires 1 socket

Overhead Layout



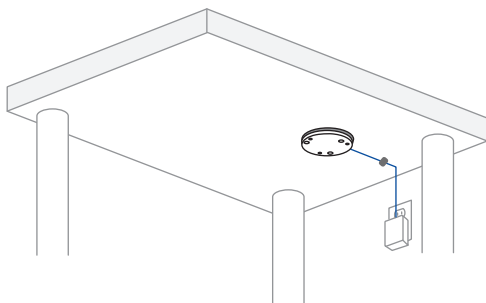
Pricing

	MSRP	COST
4 CHARGESPOTS, SPARKS, SPARK HOLDERS & POWER SUPPLY	\$935	\$650

Does not include installation

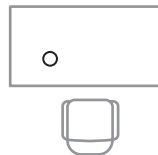
**SINGLE WORKSTATION, 1 CHARGESPOT ⚡**

Wiring



Requires 1 socket

Overhead Layout



Pricing

	MSRP	COST
1 CHARGESPOT, SPARKS, & POWER SUPPLY	\$230	\$160

Does not include installation