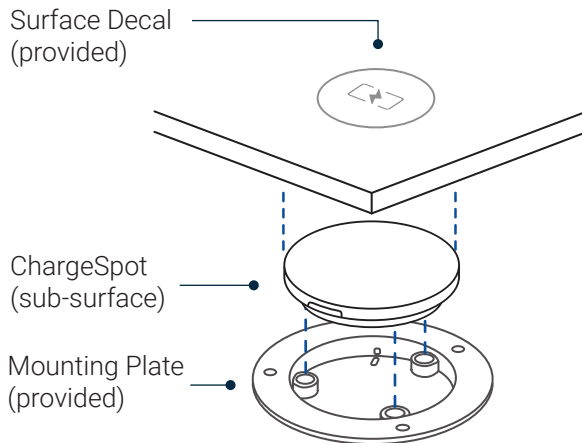


CHARGESPOT

PRODUCT SHEET



Chargespot is a wireless charging transmitter that installs under table surfaces. It allows anyone to charge their smartphone or tablet. It also is capable of fast charging for devices that can accept higher power transfer.

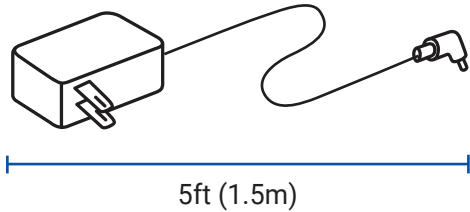
ChargeSpot is easy to use and install and can be added to any piece of furniture.

A decal denotes the location of the ChargeSpot and marks the spot that users place a device over to begin charging.

Power Output	15 Watts
Product Dimensions	3½" (89mm) Diameter x ¾" (19mm) Height
Power Supply	19V 1350mA (Sold Separately)
Wireless Power Protocols	WPC 1.2
Non-Compatible Surfaces	Metal, Glass

POWER SUPPLY OPTIONS

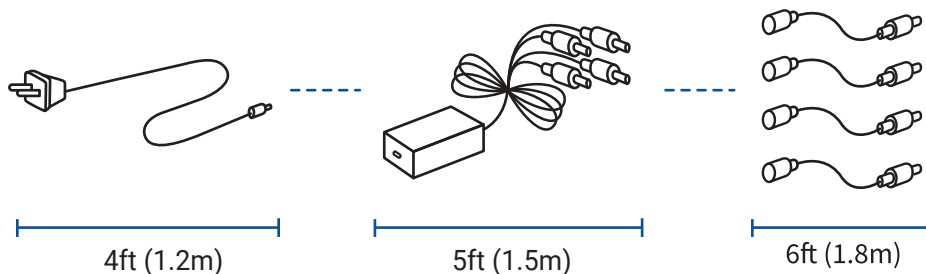
SINGLE UNIT POWER SUPPLY



The Single-Unit Power Supply is capable of providing power to one (1) ChargeSpot. Great for individual work stations and in other layouts to supplement Multi-Unit Power Supplies.

Power Output	19 Volt, 1.35 Amp
Product Dimensions	Adapter: 3 ¼" (82.5mm) Length, 1 ⅝" (41mm) Height, 2" (50mm) Width, Full Length (with Cord): 5 ft.
# of ChargeSpots Powered	1

MULTI UNIT POWER SUPPLY (4 units)



The Multi Unit Power Supply is capable of providing power to four (4) ChargeSpots. Great for conference tables and meeting rooms.

Power Output	19 Volt, 5 Amp
Product Dimensions	Box: 5 ⅜" (136mm), Length, 2 ¼" (59mm) Width, 1 ⅜" (35mm) Height, Full Length (connected): 15 ft.
# of ChargeSpots Powered	4