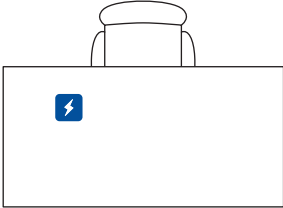
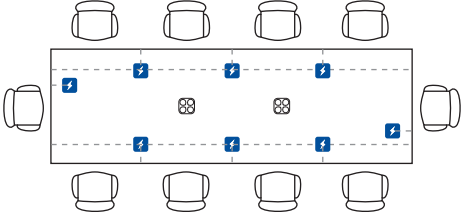
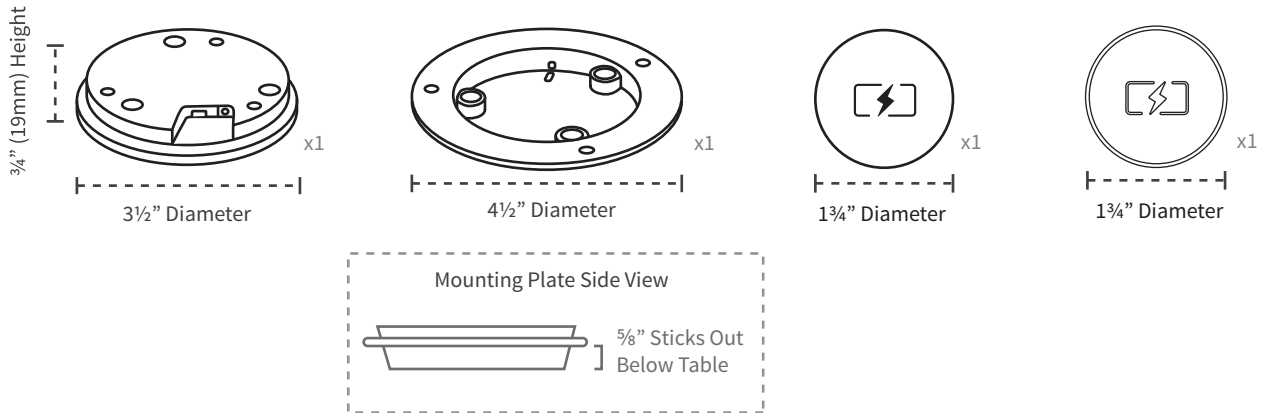


# HOW TO SPECIFY CHARGE SPOT

	WORKSTATION / BENCHING	MEETING / COLLABORATE / TABLES
# of ChargeSpots	1 seat : 1 ChargeSpot	Total Seats at table - 2
WHAT TO SPECIFY	(sets of 1)	(multiple of 4)
ChargeSpot	TX01002 X 1	TX01002 x 4
Power Supply	PS01005 X 1	PS01006 x 1
Sparks	1 X RX02002 or 1X RX02003 or 1X RX02004	2 x RX02002 and 1 x RX02003 and 1 x RX02004 and 1 x WP02009
WHERE TO SPECIFY		
General Rule of Thumb	To the left or right of the main work surface	Between every 2 seats
Distance from edge (nearest to seat)	8-12"	6-8"
Why there?	To the left or right of where the keyboards / mice are typically placed	Close to person to keep device personal in semi public setting
Example		

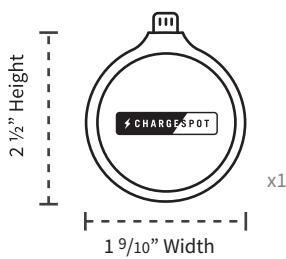
## CHARGESPOT

TX01002



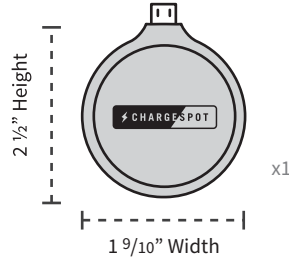
## APPLE LIGHTNING SPARK

RX02002



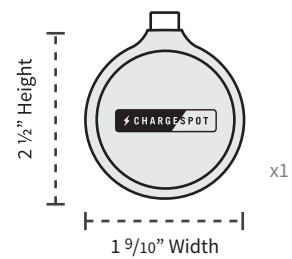
## MICRO USB SPARK

RX02003



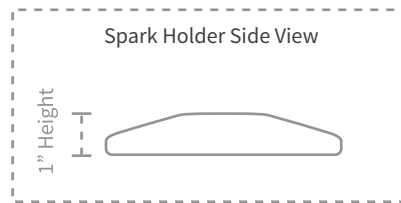
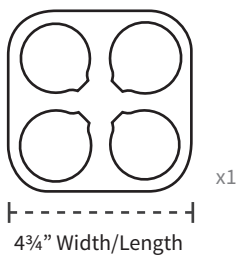
## USB C SPARK

RX02004



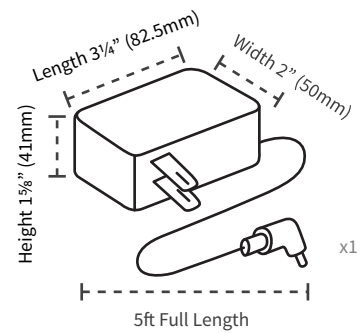
## SPARK HOLDER

WP02009



## SINGLE UNIT POWER SUPPLY

PS01005



## MULTI UNIT POWER SUPPLY

PS01006

